



Road Weather Station RWS200 enclosures



Features

- Protects weather station electronics
- Acid-proof against de-icing chemicals (stainless steel AISI 316)
- Available in white color (ENC652 and ENC722) or gray (ENC653)
- Mounting kits for lattice towers and different size of pole masts

ENC653, ENC652, and ENC722 with radiation shield and cabling box

Vaisala high-quality weather station enclosures protect weather station electronics from the weather and other damaging elements. Enclosure materials are selected to withstand harsh roadside conditions, where de-icing chemicals constantly try to contaminate the enclosure.

Robust design

The enclosures are made of stainless steel and the seams are continuously welded for maximum strength and solidity. The enclosures have a backplate to which all electronics are attached.

The door sealing makes the enclosure water proof. Rubber flanges provide cabling access through the bottom of the enclosure.

Additional shielding

Optional shielding is available for the enclosures. The set contains a cabling box that protects the cabling from vandalism and a radiation shield that protects the enclosure from excessive sunshine.

Like the enclosure itself, the shielding elements are finished with powder coating.

Easy installation

To ease the installation, the enclosures are delivered with a mounting frame. The mounting frame can be used to install the enclosure on a wall or on the backplate of another enclosure.

Mounting accessories are also available for mounting the enclosure on a thin pole mast, a thick pole mast, or a lattice mast. The enclosure door has two hinges and a wind lock to keep it open in heavy winds.

Standard enclosure ENC652

ENC652 is the Vaisala standard enclosure for road weather stations. The enclosure is stainless steel and has IP66 rating. It is glossy white.

Road-optimized enclosure ENC653

ENC653 is IP65 rated and matte light gray. It is deeper than ENC652 and it has an improved radiation shield.

ENC653 has a 5-point locking system with a swing handle that can be opened with one hand. You can purchase any compatible lock cylinder for the enclosure or order the cylinder from Vaisala.

ENC653 has the following optional accessories:

- Door switch to detect an open enclosure door

- Lights inside the enclosure
- Weather cover to shield you and the electronics inside the enclosure during installation and maintenance work
- Table top for holding your laptop during installation

Slim enclosure ENC722

ENC722 is designed for places where space is limited. The enclosure offers the same functionality as the larger enclosures except for certain space limitations.

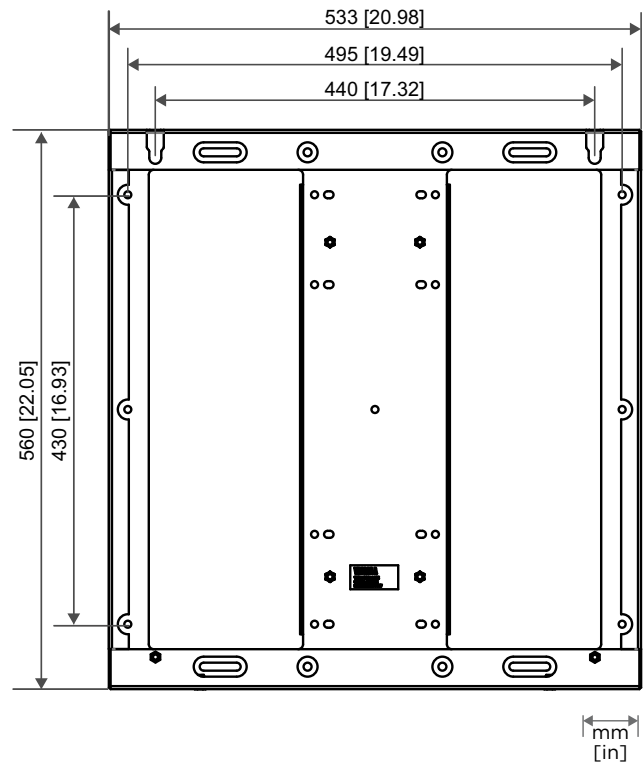
ENC652 technical data

ENC652 specifications

IP rating	IP66
UL 50E (NEMA) rating	Type 4X
Maximum operating wind speed	75 m/s (168 mph)
Maximum door opening angle	100°
Materials	
Enclosure	Stainless steel AISI 316, painted white (RAL9003, gloss 80)
Backplate	Fe/Zn
Flanges	Rubber (TPE)
Radiation shield	Aluminum EN AW-5754
Dimensions (H × W × L)	
Enclosure only	600 × 500 × 207 mm (23.62 × 19.68 × 8.15 in)
With radiation shield, mounting frame, and cabling box	787 × 581 × 270 mm (30.98 × 22.87 × 10.62 in)
Backplate only	555 × 455 × 42 mm (21.85 × 17.91 × 1.65 in)
Weight	
Enclosure only	14.2 kg (31.3 lb)
Lifting weight (enclosure with backplate, without battery)	Approx. 27 kg (59.5 lb)
RWS200 shipping package	
Dimensions	Approx. 91 × 72 × 44 cm (36 × 28 × 17 in)
Weight	Approx. 60 kg (132 lb)

ENC652 spare parts and accessories

Spare part or accessory	Order code
Enclosure ENC652 with locks and flanges, mounting frame, backplate, radiation shield, and cabling box	ENC652KIT
Cabling box	ASM210466SP
Radiation shield	ASM210463SP
Rubber flange	DRFLANGE10SP
Enclosure lock	ASM213869SP
Backplate	ASM211817SP
Pressure port	16941DM
Enclosure accessories:	BOX652ACC1SP
<ul style="list-style-type: none"> Cable ties 2.5×100 mm (20 pcs) Cable tie holders FTH-13R-01 (5 pcs) DIN rail end brackets (10 pcs) Washers with EPDM gasket 6.8/16×1.5/A2/EPDM (4 pcs) Hex screws M6×16 ISO7380 A4 (2 pcs) Hex nuts M6 Wulock Fe/Zn (2 pcs) Torx screws M4×8 ISO14583 TX A4 (10 pcs) Flat washers A6.4 DIN125 A4 (4 pcs) 	
Accessory set including screws and washers	262928
Enclosure grounding cable, 16 mm ² (5 AWG), 1.4 m (4 ft 7 in)	CBL210759
Table top	ASM213554



ENC652 and ENC653 mounting frame dimensions

ENC652, ENC653, and ENC722 mounting kit options

Mounting kit	Order code
Mounting kit for lattice mast ¹⁾	ASM210998
Mounting kit for 60 mm (2.36 in) pole mast ²⁾	APPK-SET60
Mounting kit for 75 mm (2.95 in) pole mast ²⁾	APPK-SET75
Mounting kit for 100 mm (3.94 in) pole mast ²⁾	APPK-SET100
Mounting kit for 80 ... 600 mm (3.15 ... 23.62 in) pole mast, excluding stainless steel band and locks ^{2) 3)}	DRUNIV-US
Mounting kit for 80 ... 600 mm (3.15 ... 23.62 in) pole mast, including stainless steel band and locks ²⁾	DRUNIV

¹⁾ Installation requires 1 mounting kit.

²⁾ Installation requires 2 mounting kits.

³⁾ You can use any suitable stainless steel band and locks for attaching the mounting support to the pole mast, for example, Band-It 19.1 mm (0.75 in) with Ear-Lokt buckles. If you are only doing a few installations, use the DRUNIV mounting kit instead.

ENC653 technical data

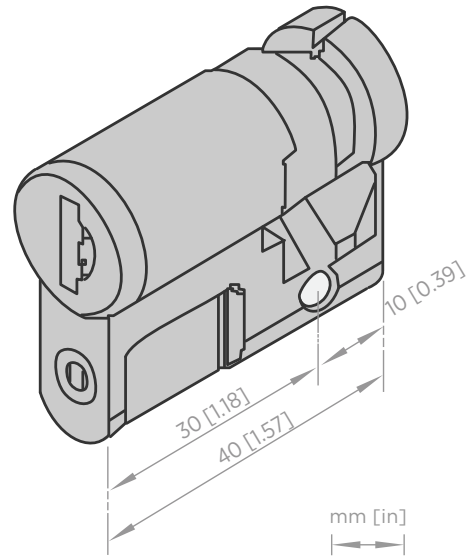
ENC653 mechanical specifications

IP rating	IP65
Maximum door opening angle	120°
Materials	
Enclosure	Stainless steel AISI 316L, painted gray (RAL7035, gloss 30)
Backplate	Fe/Zn
Flanges	Rubber (TPE)
Radiation shield	Aluminum EN AW-5754
Dimensions (H × W × L)	
Enclosure only	600 × 500 × 250 mm (23.62 × 19.69 × 9.84 in)
With radiation shield, mounting frame, and cabling box	796 × 592 × 324 mm (31.34 × 23.31 × 12.76 in)
Weight	
Enclosure only	14.2 kg (31.3 lb)
Lifting weight (enclosure with backplate, without battery)	Approx. 27 kg (59.5 lb)

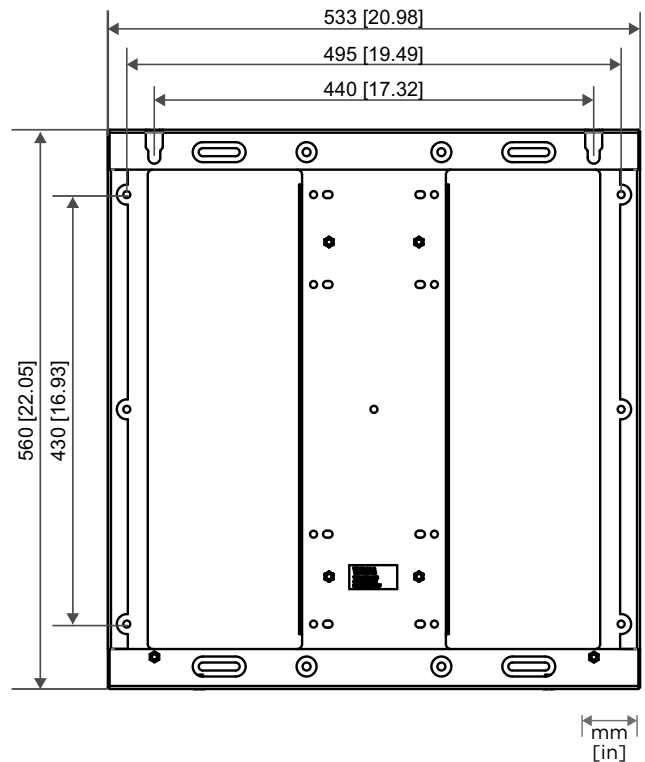
ENC653 spare parts and accessories

Spare part or accessory	Order code
Enclosure ENC653 with flanges, mounting frame, backplate, radiation shield, and cabling box	ENC653KIT
Enclosure	ENC653SP
Cabling box	ASM215259SP
Radiation shield	ASM213010SP
Mounting frame	ASM213223SP
Rubber flange	DRFLANGE10SP
Backplate	ASM211817SP
Pressure port	16941DM
Wind lock	253494SP
Door locking system with swing handle	258058SP
Lock cylinder	277205SP
Door switch with mounting bracket, for use with LED light	ASM213613SP
Door switch with mounting bracket, for use without LED light	ASM215220SP
LED light with wiring	CBL210842+MARKE RSP
LED fuse, 1 A (10 pcs)	232177SP
Wire assembly between backup battery, DMU703, door switch, and LED light	CBL211326SP
Enclosure accessories:	BOX652ACC1SP
<ul style="list-style-type: none"> Cable ties 2.5×100 mm (20 pcs) Cable tie holders FTH-13R-01 (5 pcs) DIN rail end brackets (10 pcs) Washers with EPDM gasket 6.8/16×1.5/A2/EPDM (4 pcs) Hex screws M6×16 ISO7380 A4 (2 pcs) Hex nuts M6 Wulock Fe/Zn (2 pcs) Torx screws M4×8 ISO14583 TX A4 (10 pcs) Flat washers A6.4 DIN125 A4 (4 pcs) 	
Accessory set including screws and washers	262928
Enclosure grounding cable, 16 mm ² (5 AWG), 1.4 m (4 ft 7 in)	CBL210759
Weather cover	ASM213363
Table top	ASM213554

You can purchase a standard lock cylinder from Vaisala for the lock or use any suitable Euro profile lock cylinder (DIN 18252). Before purchasing your own lock cylinder, check that the cylinder fits inside the locking system.



ENC653 lock cylinder dimensions



ENC652 and ENC653 mounting frame dimensions

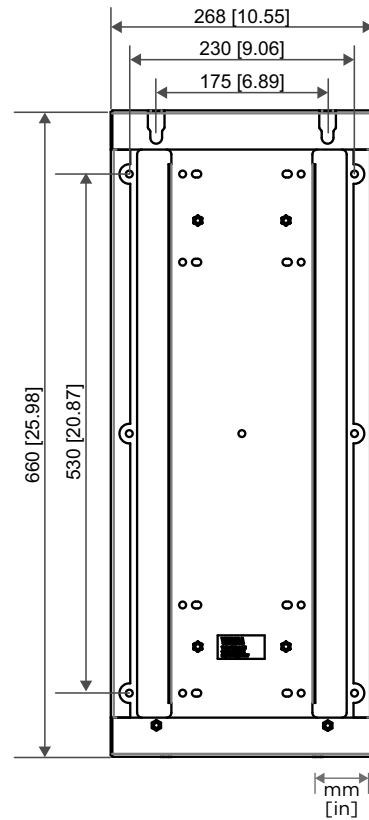
ENC722 technical data

ENC722 specifications

IP rating	IP66
Maximum door opening angle	100°
Materials	
Enclosure	Stainless steel AISI 316, painted white (RAL9003, gloss 80)
Backplate	Steel
Radiation shield	Aluminum EN AW-5754
Flange, gaskets	Rubber (TPE)
Dimensions (H × W × D)	
Enclosure only	700 × 200 × 207 mm (27.55 × 7.87 × 8.14 in)
With radiation shield, mounting frame, and cabling box	887 × 322 × 270 mm (34.92 × 12.67 × 10.62 in)
Weight	
Enclosure only	9.5 kg (20.9 lb)
Lifting weight (enclosure with backplate and battery)	Approx. 19.4 kg (42.8 lb)
RWS200 shipping package	
Dimensions	Approx. 86 × 40 × 34 cm (34 × 16 × 13 in)
Weight	Approx. 50 kg (110 lb)

ENC722 spare parts and accessories

Spare part or accessory	Order code
Enclosure ENC722 with locks and flanges, mounting frame, backplate, radiation shield, and cabling box	ENC722KIT
Cabling box	ASM211127SP
Radiation shield	ASM211081SP
Rubber flange	DRFLANGE10SP
Enclosure lock	ASM213869SP
Enclosure accessories:	BOX652ACC1SP
<ul style="list-style-type: none"> Cable ties 2.5×100 mm (20 pcs) Cable tie holders FTH-13R-01 (5 pcs) DIN rail end brackets (10 pcs) Washers with EPDM gasket 6.8/16×1.5/A2/EPDM (4 pcs) Hex screws M6×16 ISO7380 A4 (2 pcs) Hex nuts M6 Wulock Fe/Zn (2 pcs) Torx screws M4×8 ISO14583 TX A4 (10 pcs) Flat washers A6.4 DIN125 A4 (4 pcs) 	
Accessory set including screws and washers	262928
Enclosure grounding cable, 16 mm ² (5 AWG), 1.4 m (4 ft 7 in)	CBL210759



ENC722 mounting frame dimensions